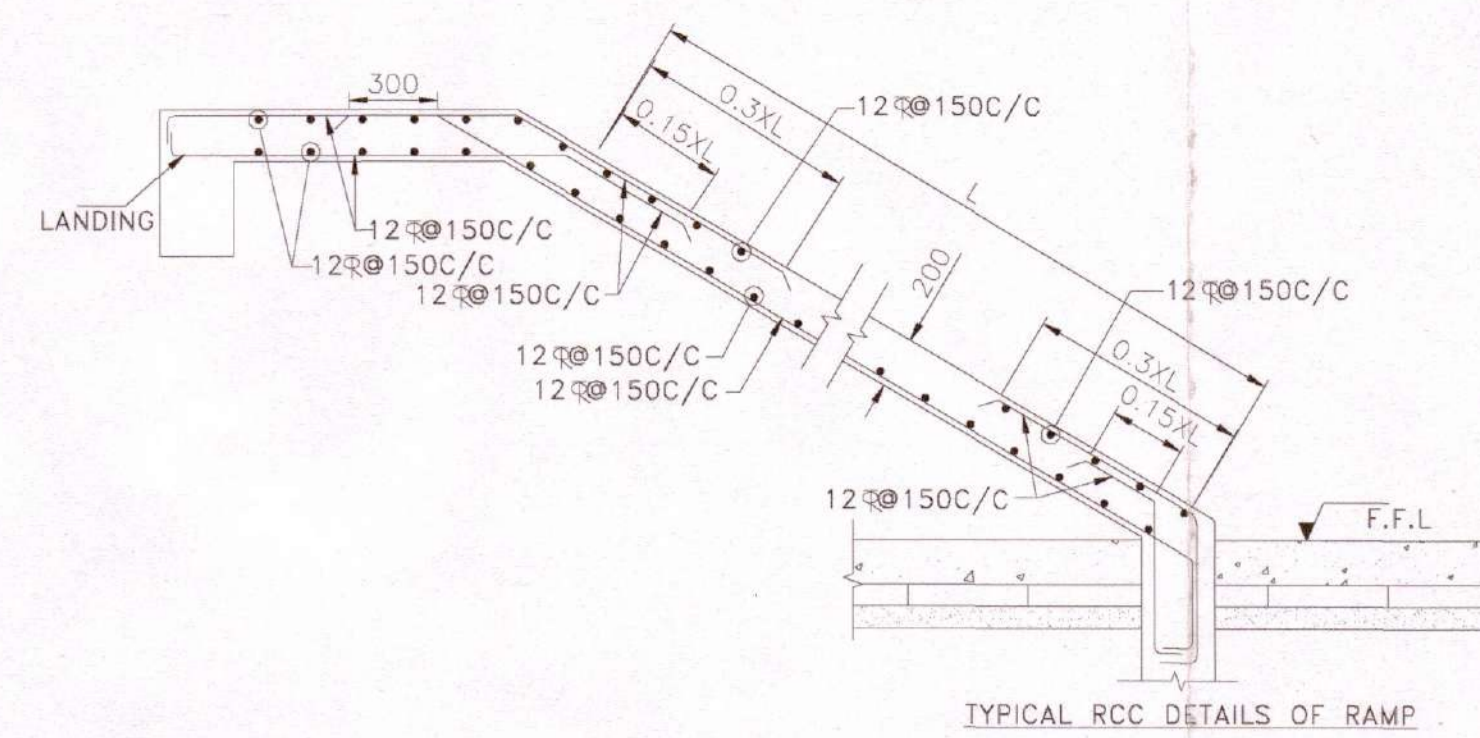


PROJECT NAME:-

STRUCTURAL DRAWING OF PROPOSED (B+G+10) ELEVAN STORIED RESIDENTIAL CUM COMMERCIAL BUILDING OF MRS. RINA GHOSH W/O MUKTIPADA GHOSH, MR. MUKTIPADA GHOSH S/O LATE RABI LOCHAN GHOSH, MRS. SHOBHA GHOSH W/O NARAYAN CHANDRA GHOSH, MRS. CHHANDA GHOSH W/O DAMODAR GHOSH, MRS. RAJKUMARI GHOSH W/O CHANDI CHARAN GHOSH, R.S PLOT NO- 21,22,232, L.R PLOT NO- 39, 52, 53, L.R. KHATIAN NO-2486,2195,2763, 2834,2835,2838,2839. J.L. NO -109 MOUZA-SHANKARPUR, P.S.-N.T.P.S. DIST-PASCHIM BARDHAMAN, WEST BENGAL.

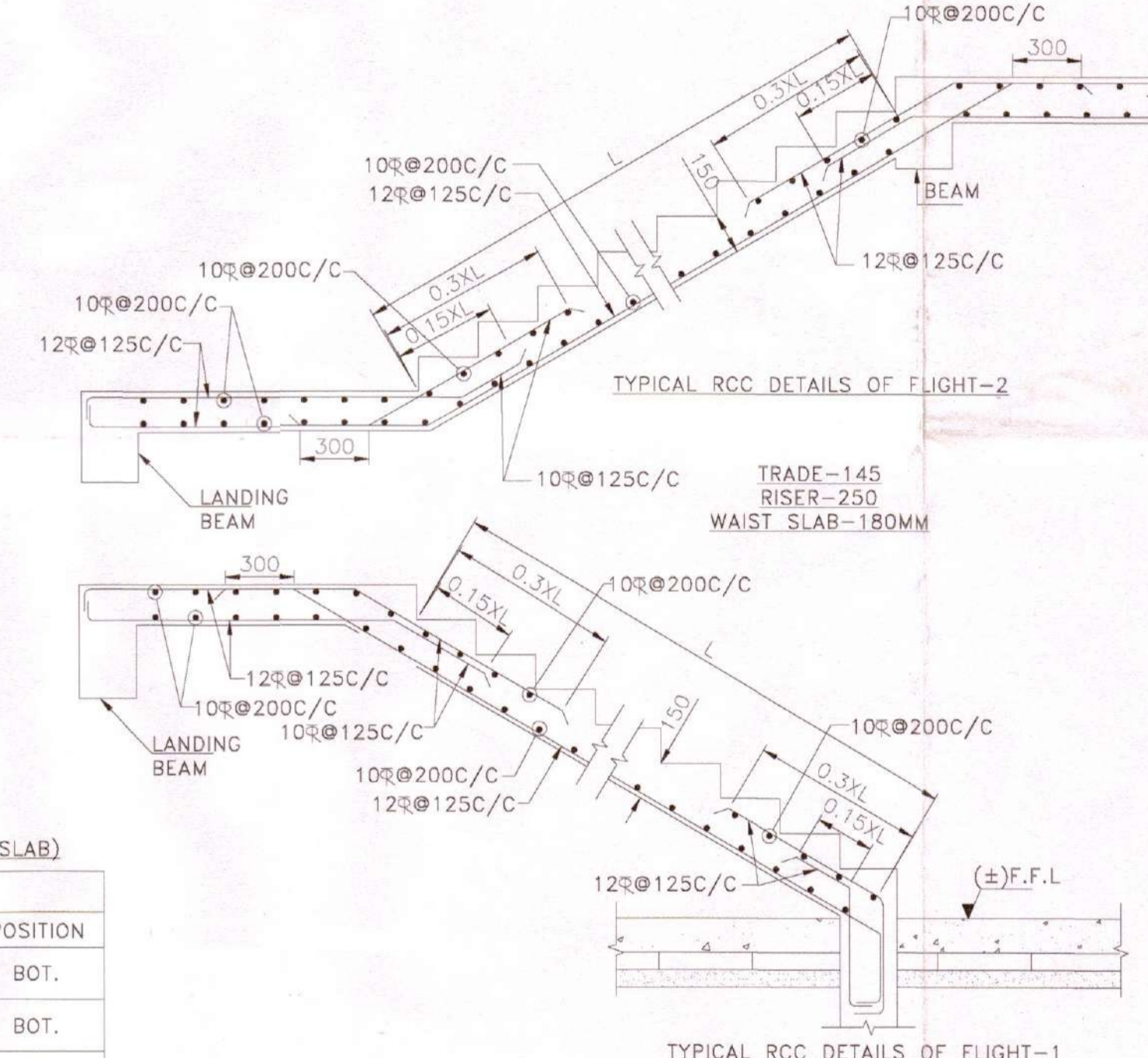
- NOTES :-
- (±) 0.00 m LEVEL REFERS TO E.G.L.
 - UNLESS OTHERWISE STATED ALL CONSTRUCTION ACTIVITIES SHALL BE CARRIED OUT CONFORMING TO RELEVANT (INDIAN) STANDARD CODES OF PRACTICE.
 - ALL DIMENSIONS ARE IN MILLIMETERS & LEVELS ARE IN METER. EXCEPT OTHERWISE MENTIONED ONLY WRITTEN DIMENSIONS SHALL BE FOLLOWED. ALL LEVELS GIVEN IN STRUCTURAL DRAWINGS ARE IN ACCORDANCE WITH ARCHITECTURAL DRAWINGS AND INDICATE STRUCTURAL LEVEL ONLY (WITHOUT FINISH). HOWEVER ARCHITECTURAL DRAWING TO BE COORDINATED FOR ALL LEVELS.
 - ALL STRUCTURAL DRAWINGS SHALL BE READ ALONG WITH THIS DRAWING AS WELL AS RELEVANT ARCHITECTURAL DRAWINGS.
 - ANY DISCREPANCY IN THE STRUCTURAL AND ARCHITECTURAL DRAWINGS SHALL BE BROUGHT TO THE NOTICE OF STRUCTURAL CONSULTANT BEFORE EXECUTION OF WORK.
 - UNLESS OTHERWISE SPECIFIED ALL REINFORCEMENT TO BE USED SHALL BE TMT. BARS OF GRADE Fe-500/500 D CONFORMING TO IS-1786-2008.
 - ADEQUATE CHAIR BARS TO BE PROVIDED TO KEEP THE TOP REINFORCEMENT IN PROPER POSITION.
 - UNLESS OTHERWISE STATED LAP LENGTH OF BARS SHALL BE DEVELOPMENT LENGTH=50xBAR DIA.
 - UNLESS OTHERWISE SPECIFIED DISTRIBUTION REINFORCEMENT SHALL BE 8 T @ 250 C/C
 - CONCRETE COVER TO MAIN REINFORCEMENT SHALL BE AS FOLLOWS:-
a) Beam-25mm, b) Column-40mm, c) Slab-15mm, d) Footing-50mm, e) R.C.C Wall-20mm, f) Stair-20mm.
 - Grade of concrete will be M30 for column and M25 for beam and sub structure as per is: 456:2000.
 - Development length 50xD for lap & splices should be provided as per the provisions laid down in SP34:1987



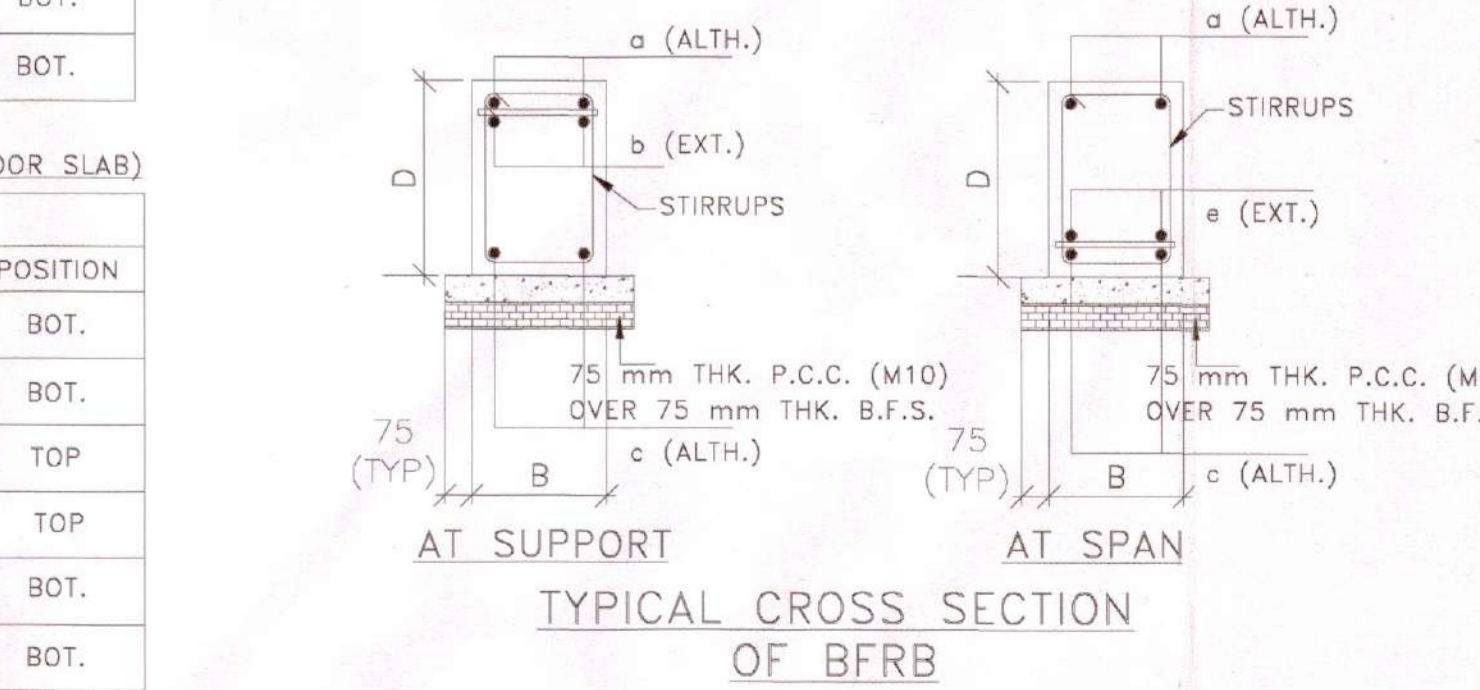
3 DETAILS OF RAMP SCALE: N.T.S

TABLE NO:-5 (SCHEDULE OF FLOOR BEAM)

Beam Mkd	Size B D	All Through Top(a) Bot.(c)	Ext. at End Supp. Top (b)	Ext. at End Span. Bot (e)	Ext. at Cont. Supp. Top (b)	S T I R R U P S Support	S T I R R U P S Span
FB1	300 450	3-20R 3-20R	2-20R	2-20R	2-20R	2L-8R@125C/C	2L-8R@125C/C
FB2	300 400	3-20R 3-20R	1-20R	1-20R	1-20R	2L-8R@125C/C	2L-8R@125C/C
FB3	300 350	3-20R 3-20R				2L-8R@125C/C	2L-8R@125C/C
FB4	250 450	3-20R 3-20R	2-20R	2-20	2-20R	2L-8R@125C/C	2L-8R@125C/C
CB	300 450	3-20R 3-20R				2L-8R@125C/C	2L-8R@125C/C
CB1	300 450	4-20R 3-20R	2-20R			2L-8R@125C/C	2L-8R@125C/C
CB2	250 450	3-20R 3-20R				2L-8R@125C/C	2L-8R@125C/C
HLB	300 400	3-20R 3-20R	1-20R	1-20R	1-20R	2L-8R@125C/C	2L-8R@125C/C



4 DETAILS OF STAIR SCALE: N.T.S



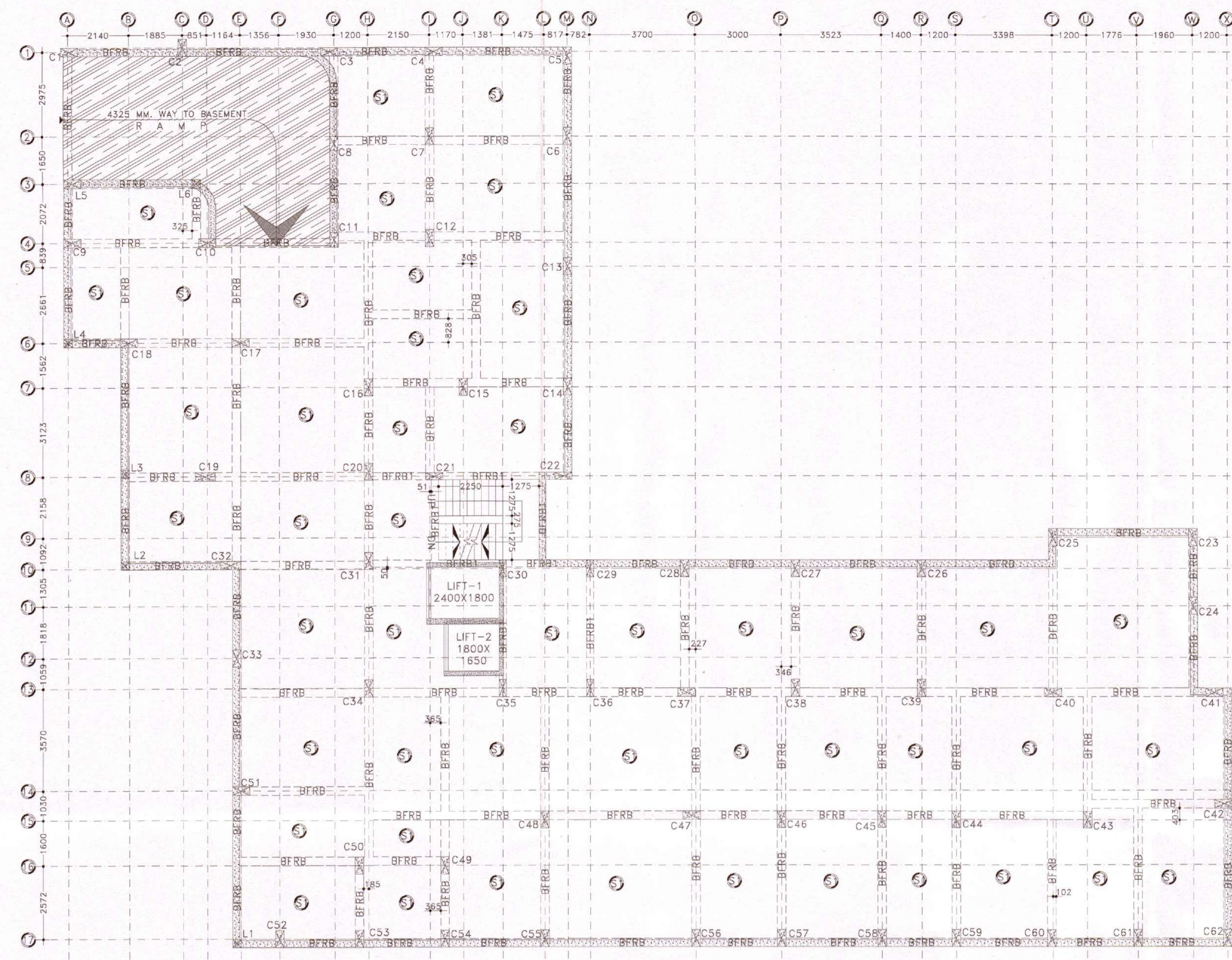
TYPICAL CROSS SECTION OF BFRB

SIGNATURE OF ARCHITECT:- SIGNATURE OF GEO-TECHNICAL ENGINEER:-

Manju Monowara Khatun
MANJU MONOWARA KHATUN
ARCHITECT
CA/2022/146222
GIDS, Durgapur-16

MANJUKHATUN
Chn / Geo-TECHNICAL ENGINEER
Lic. No. - B.P.M/163/AWG-DMC/19/165
Lic. No. - B.P.M/163/AWG-DMC/19/165
G.I.D.S., Durgapur-16

DRAWN BY:- A BADIYAKAR
CHECKED BY:- S AKHTAR
SCALE : 1:100, 1:50, 1:25, N.T.S
REV-00
DATE : 10.02.2023
SHEET NO:- STRUCTURE:-03-04



1 BASEMENT FLOOR ROOF BEAM LAYOUT SCALE: 1:100

TABLE NO:-01 (SCHEDULE OF BASEMENT FLOOR ROOF BEAM)

Beam Mkd	Size B D	All Through Top(a) Bot.(c)	Ext. at End Supp. Top (b)	Ext. at End Span. Bot (e)	Ext. at Cont. Supp. Top (b)	S T I R R U P S Support	S T I R R U P S Span
BFRB	300 500	3-25R 3-25R	3-20R	3-20R	3-20R	2L-8R@125C/C	2L-8R@125C/C
BFRB1	250 500	3-25R 3-25R	2-20R	2-20R	2-20R	2L-8R@125C/C	2L-8R@125C/C

TABLE NO:-2 (SCHEDULE OF FLOOR FLOOR SLAB)

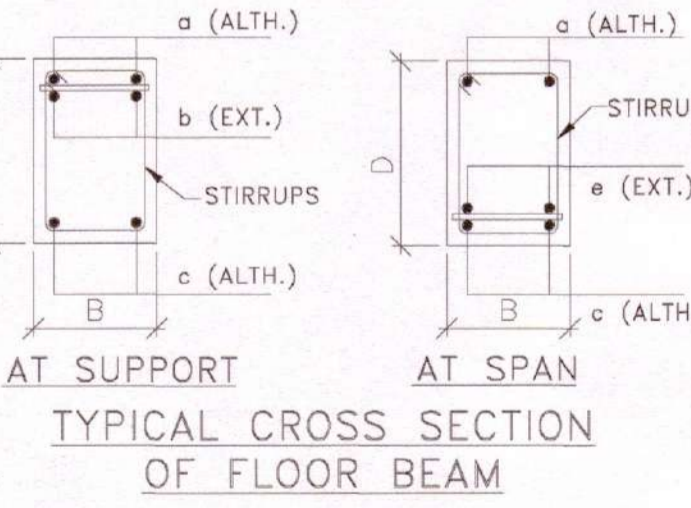
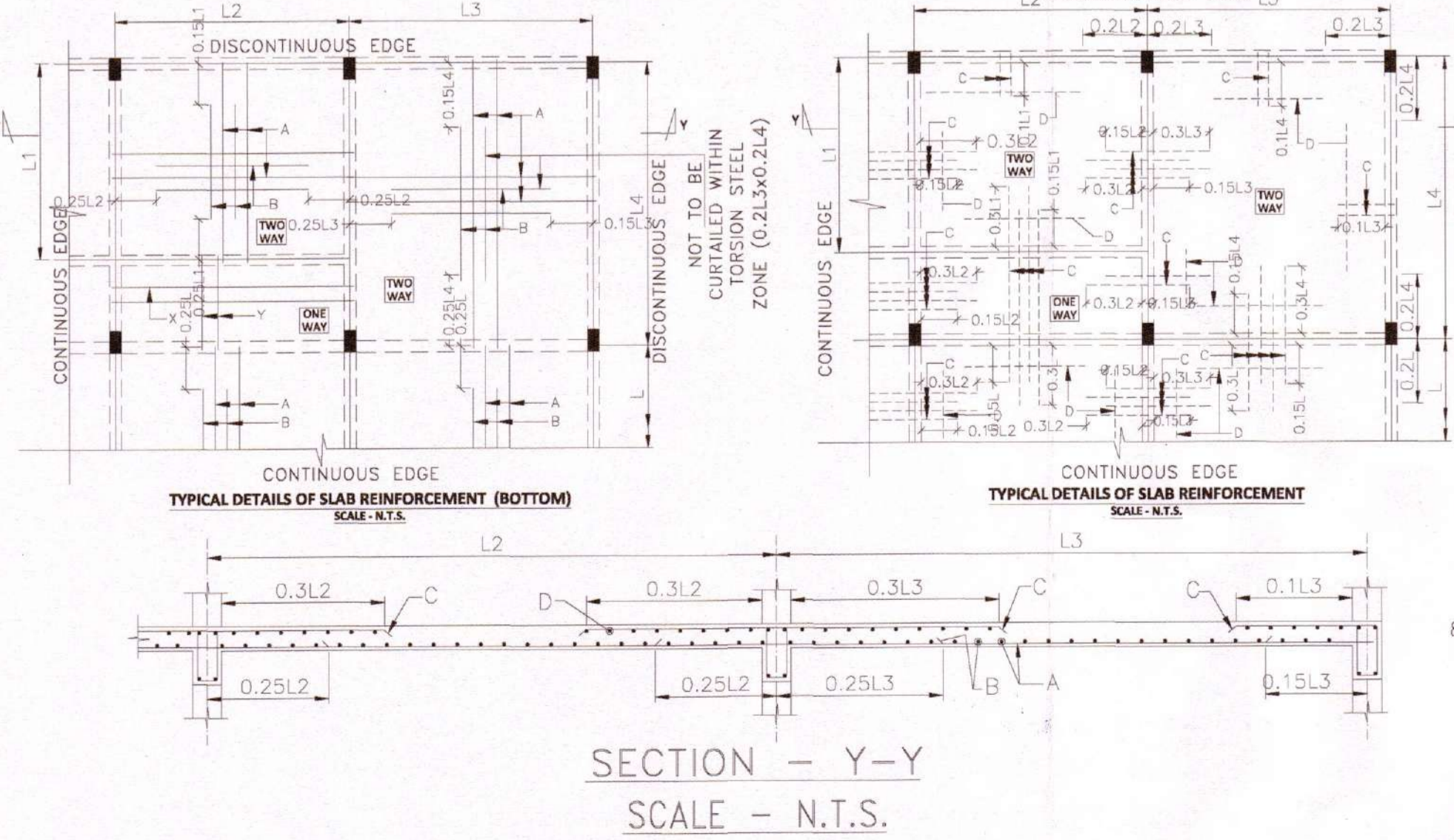
SLAB THICKNESS - 150 mm (S)

BAR MKD.	REINFORCEMENT	POSITION
A	10T @ 150 mm C/C (ALL THROUGH)	BOT.
B	10T @ 150 mm C/C (ALL THROUGH)	BOT.
C	10T @ 150 mm C/C (CURTAILMENT)	TOP
D	10T @ 150 mm C/C (CURTAILMENT)	TOP
X	10T @ 150 mm C/C (ALL THROUGH)	BOT.
Y	10T @ 150 mm C/C (ALL THROUGH)	BOT.

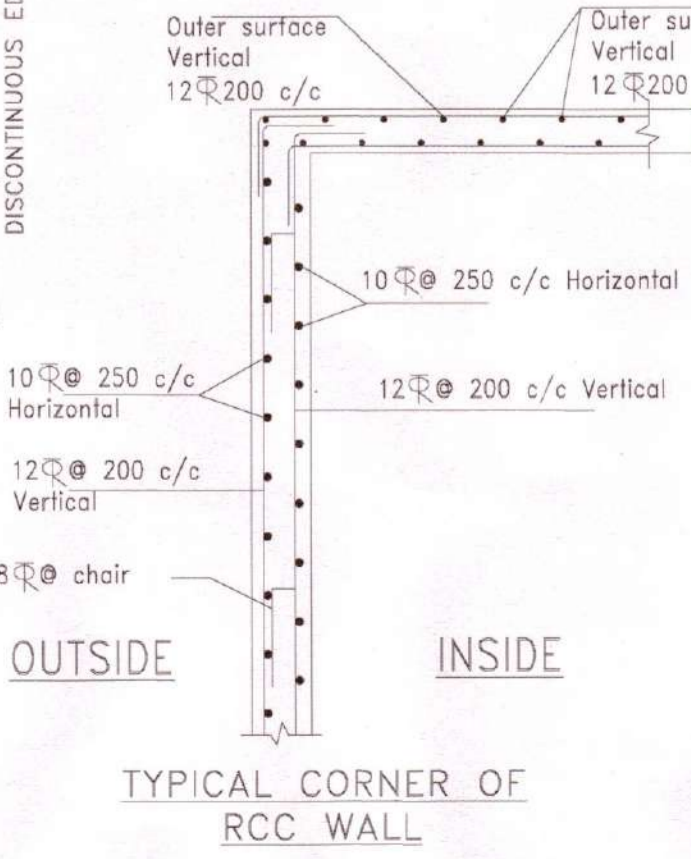
TABLE NO:-2 (SCHEDULE OF BASEMENT FLOOR SLAB)

SLAB THICKNESS - 220 mm (S1)

BAR MKD.	REINFORCEMENT	POSITION
A	12T @ 150 mm C/C (ALL THROUGH)	BOT.
B	12T @ 150 mm C/C (ALL THROUGH)	BOT.
C	12T @ 150 mm C/C (CURTAILMENT)	TOP
D	12T @ 150 mm C/C (CURTAILMENT)	TOP
X	12T @ 150 mm C/C (ALL THROUGH)	BOT.
Y	12T @ 150 mm C/C (ALL THROUGH)	BOT.



TYPICAL CROSS SECTION OF FLOOR BEAM



TYPICAL CORNER OF RCC WALL

SIGNATURE OF DEVELOPER/OWNER:-

Chhand Ghosh
Rina Ghosh
Chhand Ghosh

SIGNATURE OF STRUCTURAL ENGINEER:-

Manju Monowara Khatun
Structural Engineer
Lic. No. - B.P.M/163/AWG-DMC/19/165
Lic. No. - B.P.M/163/AWG-DMC/19/165
G.I.D.S., Durgapur-16
Contact No. - 760284157
Approved Plan No. 77 on Meeting
Date: 10.02.2023
Valid upto: 10.02.2026
Sama Sati Sen
Pradhan 11/10/24
Jemua Gram Panchayat

TITLE:-

BASEMENT FLOOR ROOF BEAM LAYOUT PLAN, WITH SECTIONAL DETAILS OF BFRB, SECTIONAL DETAILS OF STAIR SECTIONAL DETAILS OF SLAB WITH SLAB SCHEDULE, SCHEDULE OF FLOOR BEAM, SECTIONAL DETAILS RAMP, SECTIONAL DETAILS OF RCC WALL

